







3.1 Lashing straps

22/25 mm loop strap

Ideal use in transporters and vans.









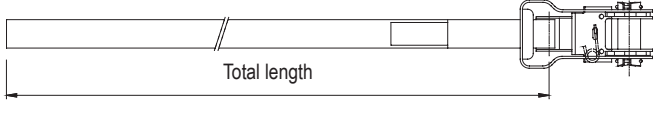


▶ Lock



1 - Lock	2 - Colour / Length	3 - Strap printing	4 - Extras	Order code
				
LC 800 daN*, STF 390 daN*				
Yellow passivated: 71 234; Blue powder coated: 560 438-10				
				
LC 1300 daN*, STF 400 daN*				
Silver passivated: 360 013-10 Yellow passivated: 77 036				
				
LC 2000 daN*, STF 340 daN*				
71 036				
				511264 + Item no.
LC 600 daN*				
522406				
				
LC 500 daN*				
71 012				
				
LC 600 daN*				
522406				

* Load capacity (LC) for strapping





▶ Colour / Length

✓	2 - Colour / Length	3 - Strap printing	4 - Extras	Order code			
							
Blue	Red	Grey	Black	Olive	Orange	Green	
	Yellow						
Not all colours are available for each lock.							
							Total length
Total length in mm							

▶ Strap and label printing

✓	✓	3 - Strap printing	4 - Extras	Order code
				
A sample of a customized strap and label printing.				
Your individual print on the loose end (allsafe print also available)				
No strap print				
Your individual print on the label				
				Strap print
				No print
				Label print

▶ Extras

✓	✓	✓	4 - Extras	Order code
				
Protective lock pad	Label protector	Abrasion protection sleeve, blue	Abrasion protection sleeve, purple	

▶ Sample order code

511264	-	71036	-	Olive	-	3800	-	Strap print	-	Label protector
25 mm lashing		Lock		Colour		Total length		Strap printing		Extras

LC: Take the minimum LC of lock and end fitting to get the overall LC of your lashing strap.



■ ■ ■ Accessories

		
Non-slip mat rolls $\mu = 0,5 - 0,6$ 8 mm thick, 0.25 x 5.0 m: 560088-10 3 mm thick, 0.15 x 20.0 m: 560460-10	Non-slip mats $\mu = 0,5 - 0,6$ approx. 100 x 200 x 8 mm 560381-10	Corner protectors 560261-10



3.1 Lashing straps

35 mm loop strap

The ideal intermediate size – now also for loop straps.





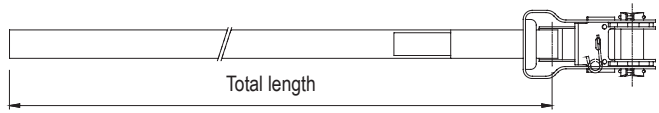


▶ Lock



1 - Lock	2 - Colour / Length	3 - Strap printing	4 - Extras	Order code
				
LC 3000 daN*, STF 450 daN*	LC 450 daN*			511387
77 131	71 039			+ Item no.

* Load capacity (LC) for strapping





▶ Colour / Length

✓	2 - Colour / Length	3 - Strap printing	4 - Extras	Order code
				
Blue	Red	Olive	Orange	Colour
Not all colours are available for each lock.				
				
Total length in mm				Total length

▶ Strap and label printing

✓	✓	3 - Strap printing	4 - Extras	Order code
				
A sample of a customized strap and label printing.				
Your individual print on the loose end (allsafe print also available)				Strap print
No strap print				No print
Your individual print on the label				Label print

▶ Extras

✓	✓	✓	4 - Extras	Order code
				
Protective lock pad	Label protector	Abrasion protection sleeve, blue	Abrasion protection sleeve, purple	

▶ Sample order code

512003	- 71039	- Olive	- 3800	- Strap print	- Label protector
25 mm lashing	Lock	Colour	Total length	Strap printing	Extras



LC: Take the minimum LC of lock and end fitting to get the overall LC of your lashing strap.

■ ■ ■ Accessories

		
Non-slip mat rolls $\mu = 0,5 - 0,6$ 8 mm thick, 0.25 x 5.0 m: 560088-10 3 mm thick, 0.15 x 20.0 m: 560460-10	Non-slip mats $\mu = 0,5 - 0,6$ approx. 100 x 200 x 8 mm 560381-10	Corner protectors 560261-10

3.1 Lashing straps

45 / 50 mm loop strap

The perfect size for box vans – now also for loop straps.








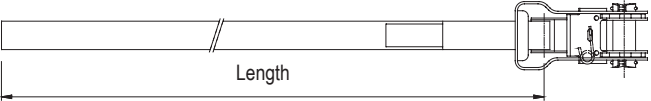


► Lock



1 - Lock	2 - Colour / Length	3 - Strap printing	4 - Extras	Order code
				
LC 1000 daN, STF 150 daN 71 265				
				
LC 1650 daN, STF 165 daN 71 016				
				
LC 2500 daN, STF 250 daN 71 056				
				
LC 2500 daN, STF 400 daN 71 179				
				
LC 2500 daN, STF 500 daN 77 179				
			stainless!	
LC 400 daN 71 299				
				
LC 750 daN 71 014				
				
LC 1150 daN 71 300				
				
LC 500 daN 71 010				
				
LC 350 daN 71 303				512004 + Item no.

* Load capacity (LC) for strapping





► Colour / Length

✓	2 - Colour / Length	3 - Strap printing	4 - Extras	Order code			
							
Blue	Red	Grey	Black	Olive	Orange	Green	Colour
Not all colours are available for each lock.							
							
Total length in mm							Total length

▶ Strap and label printing

✓	✓	3 - Strap printing	4 - Extras	Order code
				
A sample of a customized strap and label printing.				
Your individual print on the loose end (allsafe print also available)				Strap print
No strap print				No print
Your individual print on the label				Label print

▶ Extras

✓	✓	✓	4 - Extras	Order code
				
Protective lock pad	Label protector	Abrasion protection sleeve, blue	Abrasion protection sleeve, purple	

▶ Sample order code

512004	-	71056	-	Olive	-	3800	-	Strap print	-	Label protector
50 mm lashing		Lock		Colour		Total length		Strap printing		Extras

LC: Take the minimum LC of lock and end fitting to get the overall LC of your lashing strap.



■ ■ ■ Accessories

		
Non-slip mat rolls $\mu = 0,5 - 0,6$ 8 mm thick, 0.25 x 5.0 m: 560088-10 3 mm thick, 0.15 x 20.0 m: 560460-10	Non-slip mats $\mu = 0,5 - 0,6$ approx. 100 x 200 x 8 mm 560381-10	Corner protectors 560261-10