


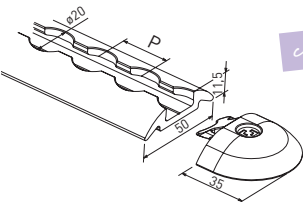
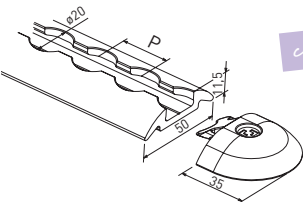
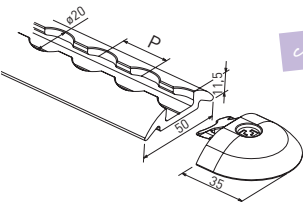
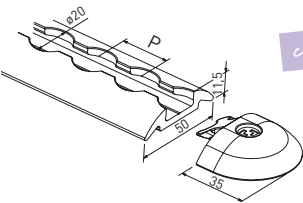


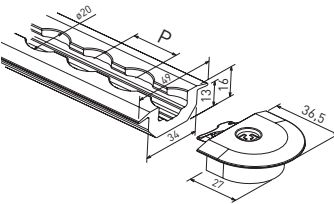
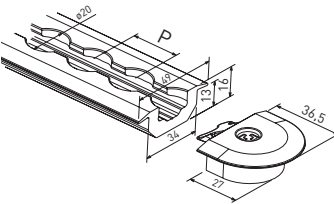
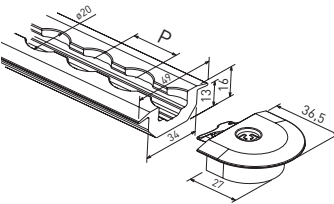
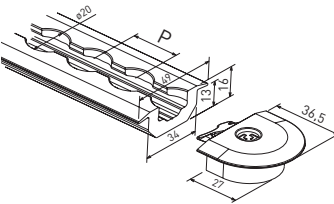


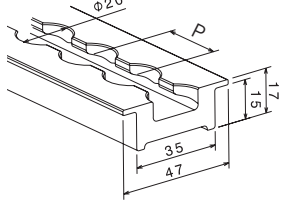
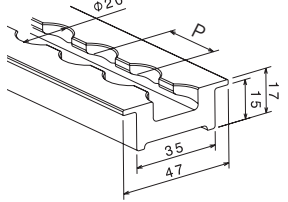
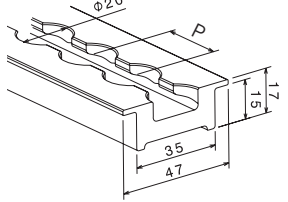
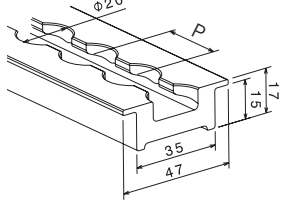


# 4.1 Airline tracks

## Heavy-duty Airline tracks

Made of aluminum – For mounting on floor or recessed.

### ► Profile and length without end caps (100 to 6000 mm)



1 - Profile / Length*	2 - Starting dimension	3 - Mounting holes	4 - Ends	5 - Track cover / End caps	Order code
	<b>HD Airline tracks, semicircular</b>			Weight: 0,76 kg/m	520224 HD semicircular Length xxxx mm
					
<i>complies with DIN 7507B-2 for wheel chair restraint</i>					
	<b>HD Airline tracks, recessed</b>			Weight: 1,00 kg/m	520223 HD recessed Length xxxx mm
					
<i>for seat fixation</i>					
	<b>HD Airline tracks, floor track</b>			Weight: 1,16 kg/m	320646 HD floor track Length xxxx mm
					 

## ▶ Starting dimension

✓	2 - Starting dimension	3 - Mounting holes	4 - Ends	5 - Track cover / End caps	Order code
e.g.: X = 0 mm	e.g.: X = 25,4 mm	e.g.: P = 25,4 mm	e.g.: P = 50 mm		P-25 P-25,4
If not indicated otherwise, the starting dimension is X = 0 mm, pitch P = 25,0 mm					

## ▶ Mounting holes

✓	✓	3 - Mounting holes	4 - Ends	5 - Track cover / End caps	Order code									
		S 5	S 6	S 8	N 4	N 5	N 6	D 5,5	D 6,6	D 8,5	M 5	M 6	FB 5	
		W	90°	90°	90°	120°	120°	120°						
		D	11	13	17,2	10,1	12,0	13,0						10,0
		d	5,5	6,6	9,0	4,2	5,05	6,7	5,5	6,6	8,5			5,0
Please select the type of mounting holes (S = Countersunk screw, N = Countersunk rivet, D = Cylindric hole, M = Internal thread, FB = Step drilling)					e. g.: S 5									

## ▶ Pitch of mounting holes

✓	✓	3 - Mounting holes	4 - Ends	5 - Track cover / End caps	Order code
	a2 = same pitch	a2 - a... = individual pitch			
Please specify the pitch of the mounting holes a1 and a2		Please specify the pitch of the mounting holes a1, a2, a3, a4 etc.			a1-xx / a2-xx

## ▶ Two-piece tracks

✓	✓	✓	4 - Ends	5 - Track cover / End caps	Order code
Please choose the division section: Middle Beginning and end					Middle Beginning and end

## ▶ Shape of ends

✓	✓	✓	4 - Ends	5 - Track cover / End caps	Order code
Please select the shape of the beginning of the track (max. radius or max. F2 = half of track width in mm)					A/E - straight A/E - burred A/E - R-xx A/E - F1-xx F2-xx A/E - SH-xx SL-xx

## ▶ Track cover / End caps

✓	✓	✓	✓	5 - Track cover / End caps	Order code
Plastic end caps. Only in combination with straight ended tracks (not compatible with 320646)					End caps
Track cover (not compatible with 520224)					Track cover

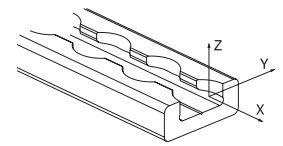
## ▶ Sample order code

Airline HD semicircular - 1497\* - Y-25 - D6 - a1-25/a2-75 - Middle - A-straight - E-straight - End caps


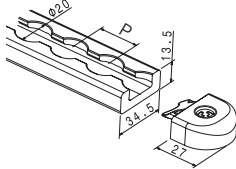

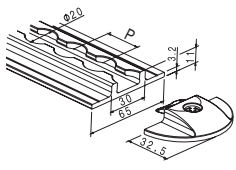

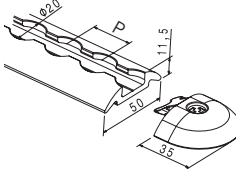

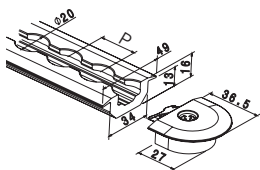

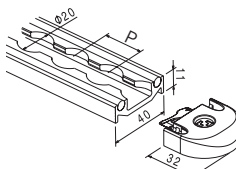
\* Length without end caps

# Accessories for Airline track standard/heavy-duty

## End caps made of plastic



### ▶ End caps


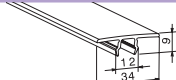
		Order code
	for standard, rectangular (71206) 	521496 Set of - 0012 pcs. - 0040 pcs. - 0080 pcs.
	for standard, flange (71209) 	521497 Set of - 0012 pcs. - 0040 pcs. - 0080 pcs.
	for standard semicircular (71224) / heavy-duty semicircular (520224) 	521499 Set of - 0012 pcs. - 0040 pcs. - 0080 pcs.
	for standard recessed (71223) / heavy-duty recessed (520223) 	521498 Set of - 0012 pcs. - 0040 pcs. - 0080 pcs.
	for standard round cord (521476) 	521477 Set of - 0012 pcs. - 0040 pcs. - 0080 pcs.

### ▶ Sample order code

End cap, standard, rectangular - 0040



### ▶ Track cover (100 to 3000 mm)

		Order code
		
(not compatible with 71224, 520224, 520377 and 5214760)		71380

### ▶ Sample order code

Track cover - 3000



TRACKS