

## 4.3 Combi tracks

### Round hole tracks

Made of aluminum or steel.

#### Profile and length



1 - Profile / Length		Order code
	<b>Round hole roof track, galvanized, Ø 20 mm</b> 	Weight: 3,11 kg/m Length: 220 to 7028 mm 
	520455 Round hole roof track Length xxxx mm	
	<b>Round hole floor track, galvanized, Ø 20 mm</b> 	Weight: 3,13 kg/m Length: 220 to 7028 mm 
	510344 Round hole floor track Length xxxx mm	

### Keyhole tracks

Made of steel.

#### Profile and length



1 - Profile / Length		Order code
	<b>Keyhole track horizontal, galvanized steel</b> 	Weight: 1,87 kg/m Length: 220 to 3050 mm 
	560302 Keyhole horizontal Length xxxx mm	

#### Sample order code

Round hole floor track - 3508

### Accessories


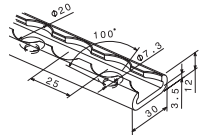

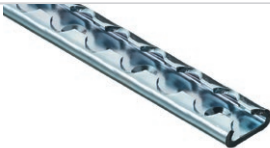
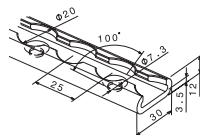

compatible with: 71002, 71004, 71005, 71219, 71675, 77225, 560064, 560302 	compatible with: 71003 
End caps 71414	End caps 71413

# ■ ■ ■ Airline tracks

Made of steel.

## ► Profile and length



1 - Profile / Length			Order code
	<b>Airline steel</b> 	Weight: 1,21 kg/m Length: 220 to 4000 mm 	520266 Airline steel Length xxxx mm
	<b>Airline galvanized steel</b> 	Weight: 1,21 kg/m Length: 220 to 4000 mm 	520267 Airline galvanized steel Length xxxx mm

## ► Sample order code

Airline galvanized steel - 3508 

TRACKS