


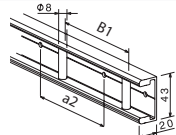
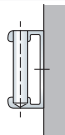

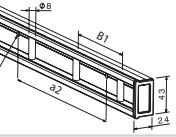


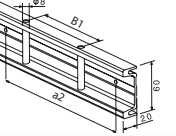
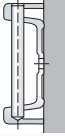

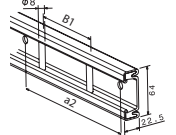

## 4.2 Pin tracks

### Pin tracks

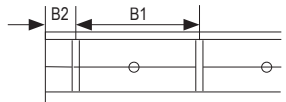
Made of aluminum – For mounting on wall.

#### Profile and length (220 to 6000 mm)

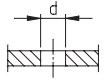


1 - Profile / Length	2 - Pin pitch	3 - Mounting holes	4 - Mounting hole pitch	Order code
	<b>Small pin track</b> 		Weight: 0,69 kg/m 	510546 Pin track small Length xxxx mm
	<b>Small pin track, protection</b> 		Weight: 0,85 kg/m 	511034 Pin track small protection Length xxxx mm
	<b>Large pin track</b> 		Weight: 1,23 kg/m 	510168 Pin track large Length xxxx mm
	<b>Large pin track, protection</b> 		Weight: 1,37 kg/m 	71099 Pin track large protection Length xxxx mm

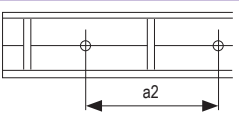
#### Pin pitch

✓	2 - Pin pitch	3 - Mounting holes	4 - Mounting hole pitch	Order code
	Good results have been achieved with: Pin pitch B1 = 100 mm, B2 = 50 mm B2 min. 50 mm - max. 150 mm			B1 xxx B2 xxx
Please select the pin pitch B1 and B2				

#### Mounting holes

✓	✓	3 - Mounting holes	4 - Mounting hole pitch	Order code
		D 5	D 6	D 5 or D 6
	d	5,0	6,0	
Please select the diameter of the mounting holes				

#### Mounting hole pitch

✓	✓	✓	4 - Mounting hole pitch	Order code
	Good results have been achieved with: Mounting hole pitch a2 = 200 mm a2 = B1 or multiple integrals of B1			a2 xxx
Please select the a2 mounting hole pitch				

#### Sample order code


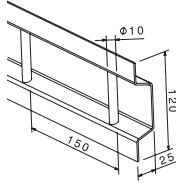

Pin track large - 1270 - D 5 - B1-100 / B2-50 / a2-20



## Pin tracks

Made of aluminum – Recessed in side walls.

### ► Profile and length


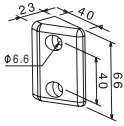
1 - Profile / Length			Order code
	<p><b>Pin track, recessed</b></p> 	<p>Weight: 0,89 kg/m</p> <p>Length up to 5000 mm</p> 	<p>71059 Pin track recessed Length xxxx mm</p>

### ► Sample order code

Pin track, recessed - 4100



## Accessories

<p>compatible with: 71099</p>		
<p>End caps 560066-10</p>		