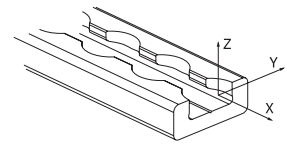


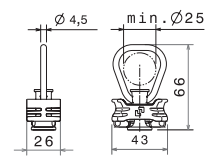


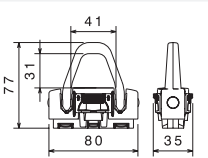


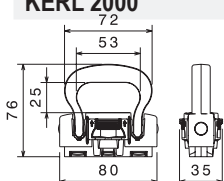
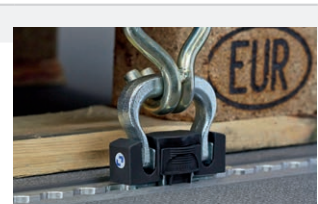


## KERL · Lashing points for Airline tracks


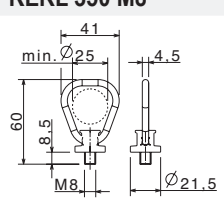
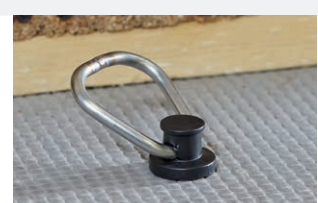

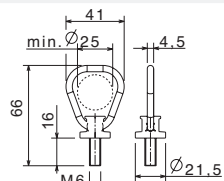

KERL 500 and 1000 provide lashing points in combination with Airline tracks with a  $\varnothing 20$  mm, 25 mm or 25.4 mm pitch. Thread straps through it or use appropriate hooks.



### ► KERL used as lashing point for Airline tracks

				Order code
	<b>KERL 500</b>		steel zinc-plated, plastic	310275
	<b>KERL 500 V2A</b>	<i>Stainless!</i>	stainless steel, plastic	310280
 	<b>KERL 500 slide</b>	<i>undetachable / anti theft</i>	steel zinc-plated, plastic	310289
	 		$\varnothing 25$ mm opening Load capacity: ** 500 daN in compliance with ISO 27956	Set of - 0012 pcs. - 0040 pcs. - 0080 pcs.
	<b>KERL 1000</b>		steel zinc-plated, plastic	511228
	 		$\varnothing 25$ mm opening Load capacity: ** 1000 daN in compliance with EN 12640	Set of - 0004 pcs. - 0012 pcs. - 0040 pcs.
	<b>KERL 2000</b>		steel zinc-plated, plastic	511227
	 		$\varnothing 25 \times 40$ mm opening Load capacity: ** 2000 daN in compliance with EN 12640	Set of - 0004 pcs. - 0012 pcs. - 0040 pcs.

### ► KERL as a lashing point for wooden floors and threaded inserts

				Order code
	<b>KERL 350 M8</b>		steel zinc-plated, plastic	310282
	 		$\varnothing 25$ mm opening Load capacity: ** 350 daN in compliance with ISO 27956	Set of - 0012 pcs. - 0040 pcs. - 0080 pcs.
	<b>KERL 300 M6</b>		steel zinc-plated, plastic	312033
	 		$\varnothing 25$ mm opening Load capacity: ** 300 daN in compliance with ISO 27956	Set of - 0012 pcs. - 0040 pcs. - 0080 pcs.

\*\* maximum value for the fitting. Usable capacity depending on type of track used and type of fixation.

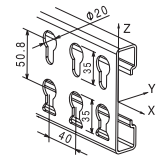
### ► Sample order code

511227 - 0040


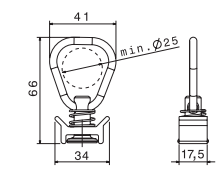
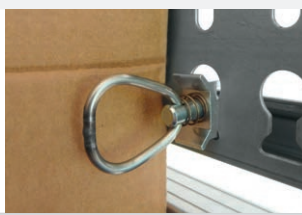

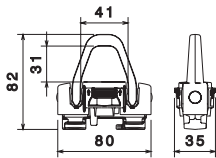



## KERL · Lashing points for AJS and CTD keyhole

KERL AJS 1000 provide lashing points in combination with AJS and CTD keyhole tracks.  
Thread straps through it or use appropriate hooks.




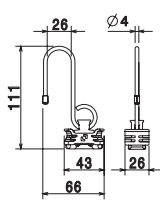

### ► KERL as lashing point for keyhole tracks

			Order code
	<b>KERL AJS 300</b>	steel zinc-plated, aluminium for hooks (Ø 25 mm) also suitable for Airline tracks Load capacity: ** 300 daN in compliance with ISO 27956	511275 Set of - 0012 pcs. - 0040 pcs. - 0080 pcs.
			
	<b>KERL AJS 1000</b>	steel zinc-plated, plastic for hooks (Ø 25 mm) Load capacity: ** 1000 daN in compliance with EN 12640	511242 Set of - 0004 pcs. - 0012 pcs. - 0040 pcs.
			

KERL

## Holder for Airline tracks

### ► KERL universal holder

			Order code
	<b>KERL Butler</b>	steel zinc-plated, plastic	310287
	<b>KERL Butler slide</b>	undetachable / anti theft Load capacity: ** 50 daN	310290 Set of - 0012 pcs. - 0040 pcs. - 0080 pcs.
			

\*\* maximum value for the fitting. Usable capacity depending on type of track used and type of fixation.

### ► Sample order code

511242 - 0040

