

# 1.1 Faktor 4 KIM

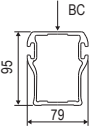

## KIM 7x9

Robust positive loading, easy handling for vertical use.

### ► Length

Weight: approx 10 – 15 kg depending on length







1 - Length	2 - Floor track	3 - End pieces	4 - Product identification sticker	Order code
Adjustment range possible from min. 1800 to max. 3100 mm. Adjustment range. ± 50 mm.				
				
				512010 KIM 7x9 Internal dimension xxxx mm

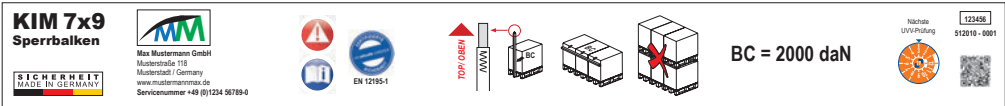
### ► Floor track

✓	2 - Floor track	3 - End pieces	4 - Product identification sticker	Order code
Please specify material by order				Aluminium Steel
Please specify pitch by order				40 mm 50 mm

### ► End pieces

✓	✓	3 - End pieces	4 - Product identification sticker	Order code
		 		
Ø 19 mm bolt		Compatible with Airline tracks Ø 20 mm		Bolt 19 mm
	Ø 24 mm bolt	Compatible with Airline tracks Ø 25 mm		Bolt 24 mm

### ► Customized product identification sticker

✓	✓	✓	4 - Product identification sticker	Order code
				
Customized product label with your logo				Custom sticker
Product label				allsafe sticker

### ► Sample order code

KIM 7x9 - 2200 - Steel 40 mm - 19 mm bolt - allsafe sticker



## Application example

KIM 5x7 Airline Profi

▶ TRS load restraint system

